

311-550-190 Snow Boss 510 (1991)
Chute Assembly

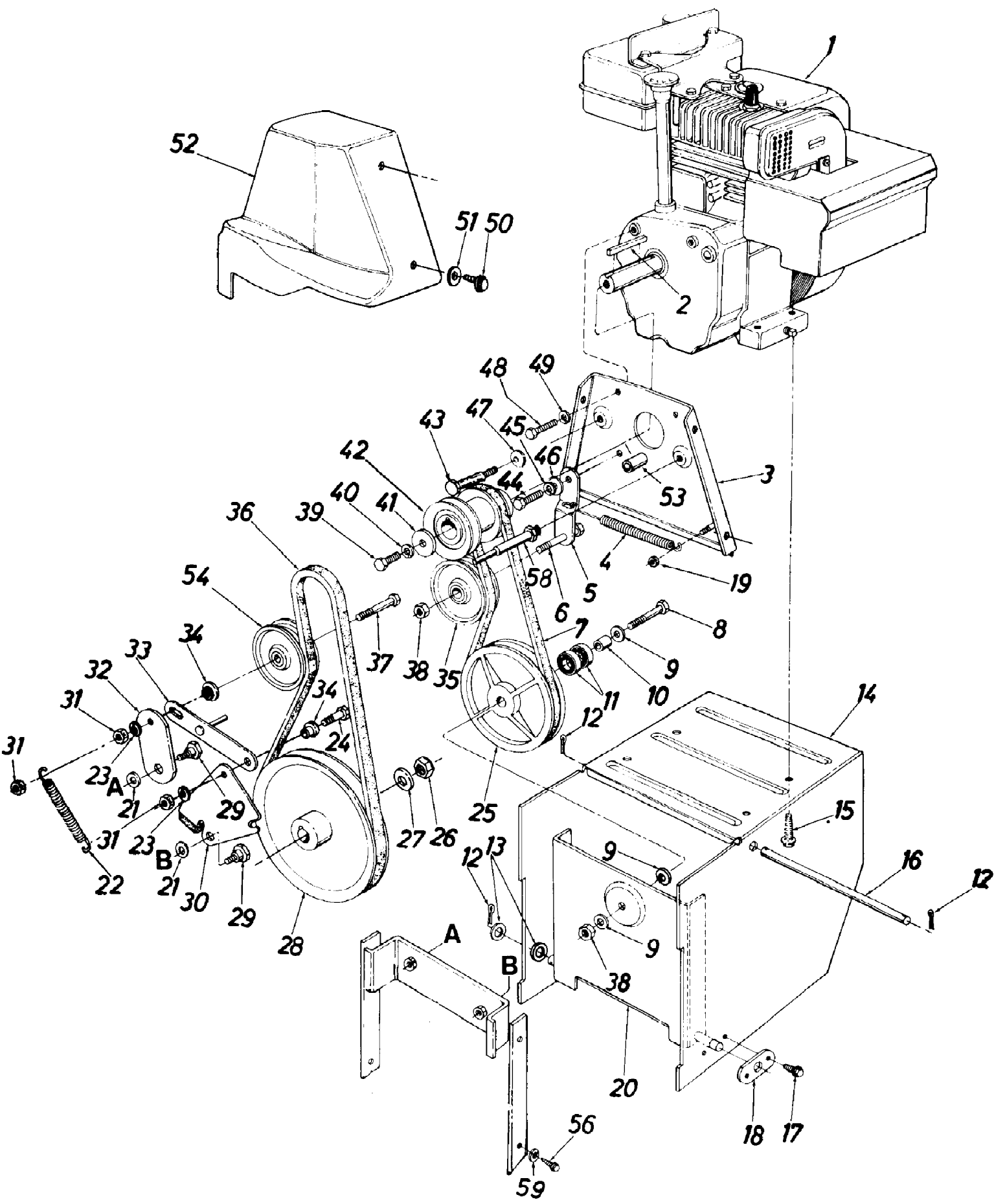
Page 2 of 12

| Ref # | Part Number | Qty | S/P/F | Description |
|-------|--------------|-----|-------|--|
| 1 | 731-0846B | 1 | S | Upper Chute |
| 2 | 710-0276 | 1 | /P | Carriage Bolt 5/16-18 x 1.0"* |
| 3 | 710-0255 | 1 | S | Truss Mach. Scr. 1/4-20 x .75"* |
| 4 | 731-0840B | 1 | S | Lower Chute |
| 5 | 714-0507 | 1 | S | Cotter Pin |
| 6 | 710-0451 | 1 | /P | Carriage Bolt 5/16-18 x 75 |
| 7 | 741-0475 | 1 | S | Bushing |
| 8 | 736-0140 | 1 | S | Fl-Wash. .385 I.D. x .62" O.D. |
| 9 | 05980 | 1 | | Chute Crank Ass'y. |
| 10 | 741-0155 | 1 | S | Ball Brg. .62" I.D. x 1.38" O.D. |
| 11 | 750-0118 | 1 | S | Spacer .63" I.D. x .88" O.D. x 900" Lg. |
| 12 | 784-5123 | 1 | S | Chute Crank Brkt. |
| 13 | 756-0344 | 1 | /P | 1/2" "V"-Pulley .625" I.D. x 7.50" O.D. (440, 550 & 552) |
| | 756-0418 | 1 | | 5/8" "V"-Pulley .625" I.D. x 7.50" O.D. (586) |
| 14 | 714-0388 | 1 | S | #61 Hi-Pro Key 3/16" x 5/8" Dia. |
| 15 | 738-0154A | 1 | | Shld. Bolt .50" Dia. x 2.11" |
| 16 | 736-0105 | 1 | /P | Bell-Wash. .40" I.D. x .88" O.D. x .06 |
| 17 | 736-0242 | 1 | /P | Bell-Wash. .34" I.D. x .88" O.D. |
| 19 | 784-5124-629 | 1 | | 20" Blower Housing Ass'y. (440) |
| | 784-5125-629 | 1 | | 24" Blower Housing Ass'y. (550 & 552) |
| | 784-5243-629 | 1 | | 26" Blower Housing Ass'y. (586) |
| 20 | 710-0790 | 1 | S | Carriage Bolt 3/8-16 x .62"* |
| 21 | 784-5038A | 1 | S | Slide Shoe |
| 22 | 736-0105 | 1 | /P | Bell-Wash. 3/8" I.D. |
| 23 | 712-0342 | 1 | /P | Hex Jam Nut 3/8-16 Thd. |
| 24 | 784-5057 | 1 | | 20" Shave Plate (440) |
| | 05847 | 1 | S | 24" Shave Plate (550 & 552) |
| | 784-5244 | 1 | S | 26" Shave Plate (586) |
| 25 | 715-0114 | 1 | S | Spring Pin Spiral 1/4" Dia. x 1.50" Lg. |
| 26 | 05865A | 1 | S | 11" Dia. Blower Fan Ass'y. |
| 27 | 714-0133 | 1 | S | Sq. Key 3/16" x 1.5" Lg. |
| 28 | 741-0493 | 1 | S | Flange Brg. .75" I.D. x .88" O.D. |
| 29 | 712-0429 | 1 | S | Hex Ins. L-Nut 5/16-18 |
| 30 | 738-0565A | 1 | | Spiral Axle (440) |
| | 738-0488A | 1 | /P | Spiral Axle (550 & 552) |
| | 738-0711A | 1 | | Spiral Axle (586) |
| 31 | 736-0188 | 1 | /P | Fl-Wash. .75" I.D. x 1.50" O.D. x .06 |
| 32 | 741-0300 | 1 | S | Flange Brg. w/Flats .755" I.D. |
| 33 | 05845 | 1 | S | Bearing Housing |
| 34 | 710-0726 | 1 | /P | Hex Wash. Hd. Self-Tap Scr. 5/16-24 x .62" Lg. |
| 35 | 710-0890 | 1 | S | Hex Bolt 5/16-18 x 1.50" Lg. |
| 36 | 784-5053 | 1 | | 20" Spiral Ass'y.-L.H. (440) |
| | 784-5054 | 1 | F | 20" Spiral Ass'y.-R.H. (440) |
| | 05923 | 1 | | 24" & 26" Spiral Ass'y.-L.H. (550 thru 586) |
| | 05924 | 1 | F | 24" & 26" Spiral Ass'y.-R.H. (550 thru 586) |
| 37 | 721-0176 | 1 | S | "O"-Ring-3/4" I.D. |
| 38 | 717-0456 | 1 | | Bevel Gear Housing-Lower Half |
| 39 | 741-0293 | 1 | S | Plastic Flange Brg. .755" I.D. |
| 40 | 717-0457B | 1 | | Bevel Gear |
| 41 | 712-0237 | 1 | | Hex Nut 5/16-24 Thd. |

311-550-190 Snow Boss 510 (1991)
Chute Assembly

Page 3 of 12

| Ref # | Part Number | Qty | S/P/F | Description |
|-------|-------------|-----|-------|---|
| 42 | 736-0264 | 1 | S | FI-Wash. .34" I.D. x .62" O.D. x .06 |
| 43 | 748-0237 | 1 | S | Pinion Gear |
| 44 | 736-0287 | 1 | S | FI-Wash. .75" I.D. x 1.25" O.D. x .06 |
| 45 | 748-0171 | 1 | /P | Flange Brg. .755" I.D. |
| 46 | 748-0106 | 1 | /P | Sleeve Brg. .755" I.D. |
| 47 | 738-0649 | 1 | /P | Blower Axle |
| 48 | 717-0455 | 1 | | Bevel Gear Housing- 0 Upper Half |
| 49 | 710-0588 | 1 | S | Hex Wash. Hd. Self-Tap Scr. 1/4-20 x 1.00" Lg. |
| 50 | 712-0267 | 1 | S | Hex Nut 5/16-18 Thd.* |
| 52 | 710-0260 | 1 | S | Carriage Bolt 5/16-18 x .62" Lg.* |
| 53 | 710-0260 | 1 | S/F | Carriage Bolt 5/16-18 x .62n Lg.* |
| 54 | 736-0119 | 1 | S/F | L-Wash. 5/16" I.D.* |
| 55 | 712-0267 | 1 | S/F | Hex Nut 5/16-18 Thd.* |
| 56 | 05139 | 1 | S/F | Drift Cutter Bar |
| 57 | 09966 | 1 | S | Knob |
| 60 | 736-0142 | 1 | S | FI-Wash. 1/4" I.D. |
| 61 | 712-0107 | 1 | S | Hex L-Nut 1/4-20 Thd. |
| 62 | 731-0851 | 1 | S | Chute Flange Keeper |
| 63 | 736-0116 | 1 | S | FI-Wash. .54n I.D. x .94" O.D. x .06 |
| 64 | 712-0923 | 1 | /P | Hex Jam Nut 5/8-18 Thd. |
| 65 | 736-0231 | 1 | S | FI-Wash. .344 I.D. x 1.125 O.D. |
| 66 | 712-0158 | 1 | S | Hex L-Nut 5/16-18 Thd. |
| 67 | 710-0323 | 1 | /P | Truss Mach. Scr. 5/16-18 x 75" Lg.* |
| 68 | 750-0190 | 1 | /P | Spacer (586) |
| | 717-0864A | 1 | | Gear Box Complete (440) |
| | 717-0867A | 1 | | Gear Box Complete (550 & 552) |
| | 717-0836A | 1 | | Gear Box Complete (586) |



311-550-190 Snow Boss 510 (1991)
Drive Assembly

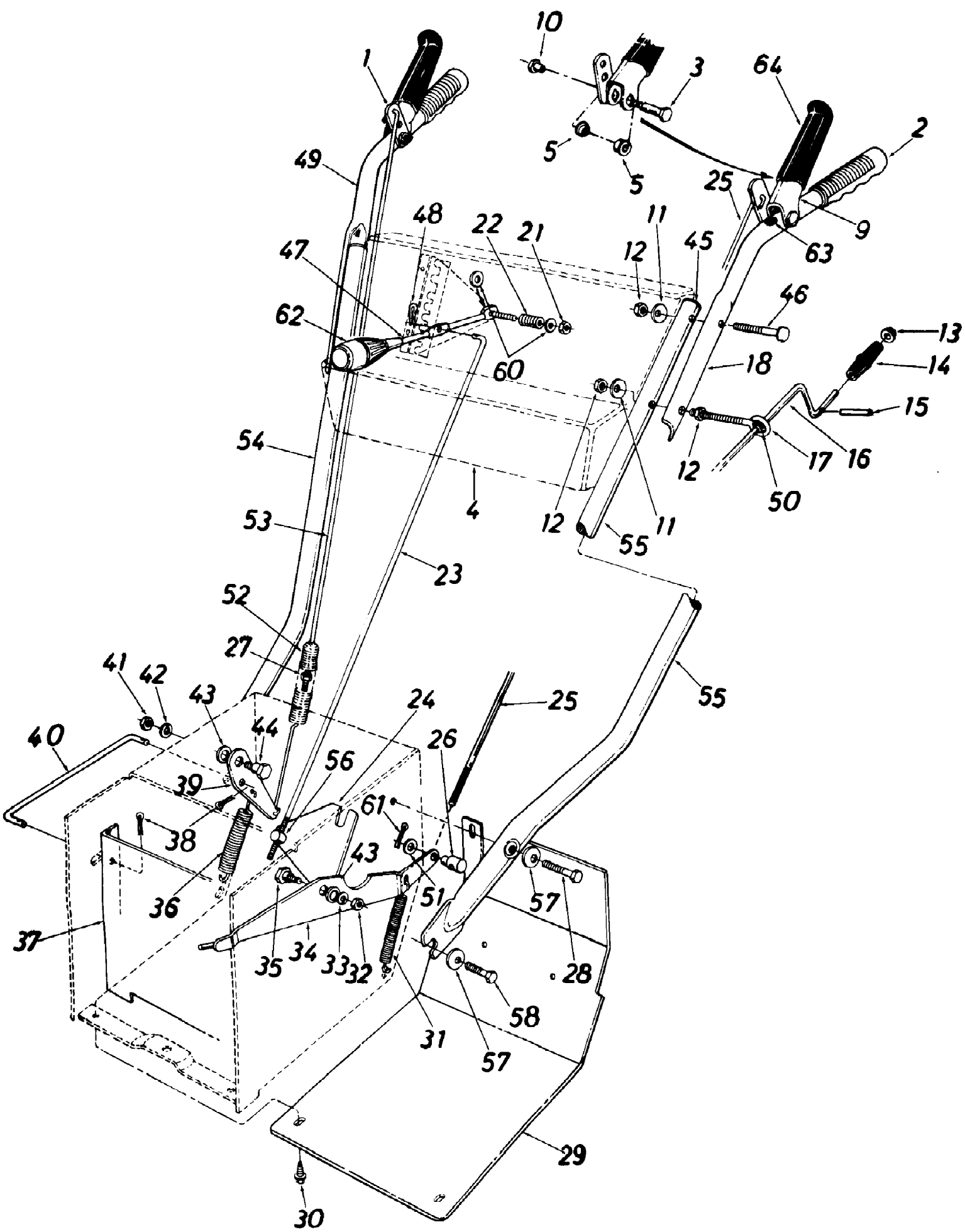
Page 5 of 12

| Ref # | Part Number | Qty | S/P/F | Description |
|-------|-------------|-----|-------|--|
| 1 | | 1 | | Engine |
| 2 | 714-0133 | 1 | S | Sq. Key 3/16" x 1.50" Lg. (440, 550 & 552) |
| | 714-0114 | 1 | S | Sq. Key 1/4" x 2.0" Lg. (586) |
| 3 | 05872A | 1 | | Engine Plate Ass'y. |
| 4 | 732-0429 | 1 | S | Extension Spring .50" O.D. x 3.97" Lg. |
| 5 | 05896 | 1 | | Drive Clutch Idler Brkt. |
| 6 | 710-0191 | 1 | /P | Hex Bolt 3/8-24 x 1.25" Lg.* |
| 7 | 754-0256 | 1 | S | "V"-Belt |
| 8 | 710-0459 | 1 | S | Hex Bolt 3/8-24 x 1.50" Lg. |
| 9 | 736-0105 | 1 | /P | Bell-Wash. .40" I.D. x .88" O.D. x .06 |
| 10 | 711-0396 | 1 | /P | Spacer .38" I.D. x .62" O.D. x .75" Lg. |
| 11 | 741-0155 | 1 | S | Ball Brg. .62" I.D. x 1.38" O.D. x .44 |
| 12 | 714-0507 | 1 | S | Cotter Pin 3132" Dia. x .75" Lg. |
| 13 | 736-0272 | 1 | S | FI-Wash. .53" I.D. x 1.00" O.D. x .125 |
| 14 | 784-5197 | 1 | | Frame Ass'y. |
| 15 | 710-0502A | 1 | /P | Hex Wash. Hd. Self-Tap Scr. 3/8-16 x 1.25" Lg. |
| 16 | 738-0497 | 1 | | Shaft .50" Dia. x 9.50" Lg. |
| 17 | 710-0599 | 1 | /P | Hex Wash. Hd. Self-Tap Scr. 1/4-20 x .50" Lg. |
| 18 | 05897 | 1 | | Axle Bracket |
| 19 | 712-0107 | 1 | S | Hex L-Nut 1/4-20 Thd. |
| 20 | 05878 | 1 | | Drive Pulley Support Brkt. Ass'y |
| 21 | 736-0219 | 1 | S | Bell-Wash. .40" I.D. x 1.13" O.D. |
| 22 | 732-0550 | 1 | | Extension Spring .56" O.D. x 4" Lg. |
| 23 | 736-0169 | 1 | S | L-Wash. 318" I.D.* |
| 24 | 710-0723 | 1 | /P | Hex Scr. 3/8-16 x 1.25" Lg. |
| 25 | 05921 | 1 | | 6.00" O.D. Drive Pulley Ass'y. (Incl. Ref. #11) |
| 26 | 712-0923 | 1 | /P | Hex Jam Cent. L-Nut 5/8-18 0 Thd. |
| 27 | 736-0116 | 1 | S | FI-Wash. .64" I.D. x .94" O.D. x .06 |
| 28 | 756-0344 | 1 | /P | 1/2" V-Pulley .625" I.D. x 7.50" O.D. (440, 550 & 552) |
| | 756-0418 | 1 | | 518" V-Pulley .625" I.D. x 7.50" O.D. (586) |
| 29 | 738-0281 | 1 | S | Shld. Bolt .625" Dia. x .170" Lg (3/8-1 6) |
| 30 | 784-5061 | 1 | | Brake Bracket Ass'y. (440, 550 & 552) |
| | 784-5048 | 1 | | Brake Brkt. Ass'y. (586) |
| 31 | 712-0342 | 1 | /P | Hex Ins. L-Nut 3/8-16 Thd. |
| 32 | 05895 | 1 | | Auger Clutch Idler Brkt. |
| 33 | 784-5245 | 1 | | Brake Linkage Ass'y. |
| 34 | 738-0347 | 1 | S | Shld. Spacer .625" I.D. |
| 35 | 756-0137 | 1 | | FI-Idler Pulley 2.25" O.D. |
| 36 | 754-0257 | 1 | S | "V"-Belt (440, 550 & 552) |
| | 754-0282 | 1 | S | "V"-Belt (586) |
| 37 | 710-0427 | 1 | S | Hex Bolt 3/8-16 x 2" Lg.* |
| 38 | 712-0116 | 1 | S | Hex Ins. Jam L-Nut 3/8-24 Thd. |
| 39 | 710-0459 | 1 | S | Hex Bolt 3/8-24 x 1.50" Lg. |
| 40 | 736-0169 | 1 | S | L-Wash. 3/8" I.D.* |
| 41 | 736-0247 | 1 | /P | Bell-Wash. .40" I.D. x 1.25" O.D. (440, 550 & 552) |
| | 736-0242 | 1 | /P | Bell-Wash. .345" I.D. x .88" O.D. (586) |
| 42 | 756-0421 | 1 | /P | Double Groove Engine Pulley (440, 550 & 552) |

311-550-190 Snow Boss 510 (1991)
Drive Assembly

Page 6 of 12

| Ref # | Part Number | Qty | S/P/F | Description |
|-------|-------------|-----|-------|---|
| | 756-0241B | 1 | /P | Double Groove Engine Pulley (586) |
| 43 | 738-0215A | 1 | /P | Shld. Scr. .498" x 3.0" Lg. (440, 550 & 552) |
| | 711-0769 | 1 | /P | Stud 3/8-16 x 3.37" Lg. (586) |
| 44 | 710-0117 | 1 | S | Hex Bolt 5/16-24 x 1.00" Lg. |
| 45 | 736-0119 | 1 | S | L-Wash. 5/16" I.D.* |
| 46 | 748-0234 | 1 | /P | Shld. Spacer .27" Lg. |
| 47 | 736-0105 | 1 | /P | Bell-Wash. .40" I.D. x .88" x .06 |
| 48 | 710-0237 | 1 | /P | Hex Bolt 5/16-24 x .62" Lg. |
| 49 | 736-0119 | 1 | S | L-Wash. 5/16" I.D.* |
| 50 | 710-0599 | 1 | /P | Hex Wash. Hd. Self-Tap Scr. 1/4-20 x .50" Lg. |
| 51 | 736-0173 | 1 | /P | Fl-Wash. .28" I.D. x .75" O.D. x .06 |
| 52 | 731-0642 | 1 | /P | Belt Cover |
| 53 | 750-0456 | 1 | S | Spacer (440, 550 & 552) |
| 54 | 756-0225 | 1 | /P | Fl-Idler Pulley 2.75" O.D. |
| 56 | 710-0623 | 1 | /P | Hex Wash. Hd. Self-Tap Scr. 3/8-16 x .75" Lg. |
| | 725-0954 | 1 | S | Ignition Key (Not Shown) |
| 58 | 711-0769 | 1 | /P | Stud 3/8-16 x 3.37" Lg. |
| 59 | 736-0217 | 1 | S | L-Wash. 3/8" I.D.-H.D. |



311-550-190 Snow Boss 510 (1991)
Frame Assembly

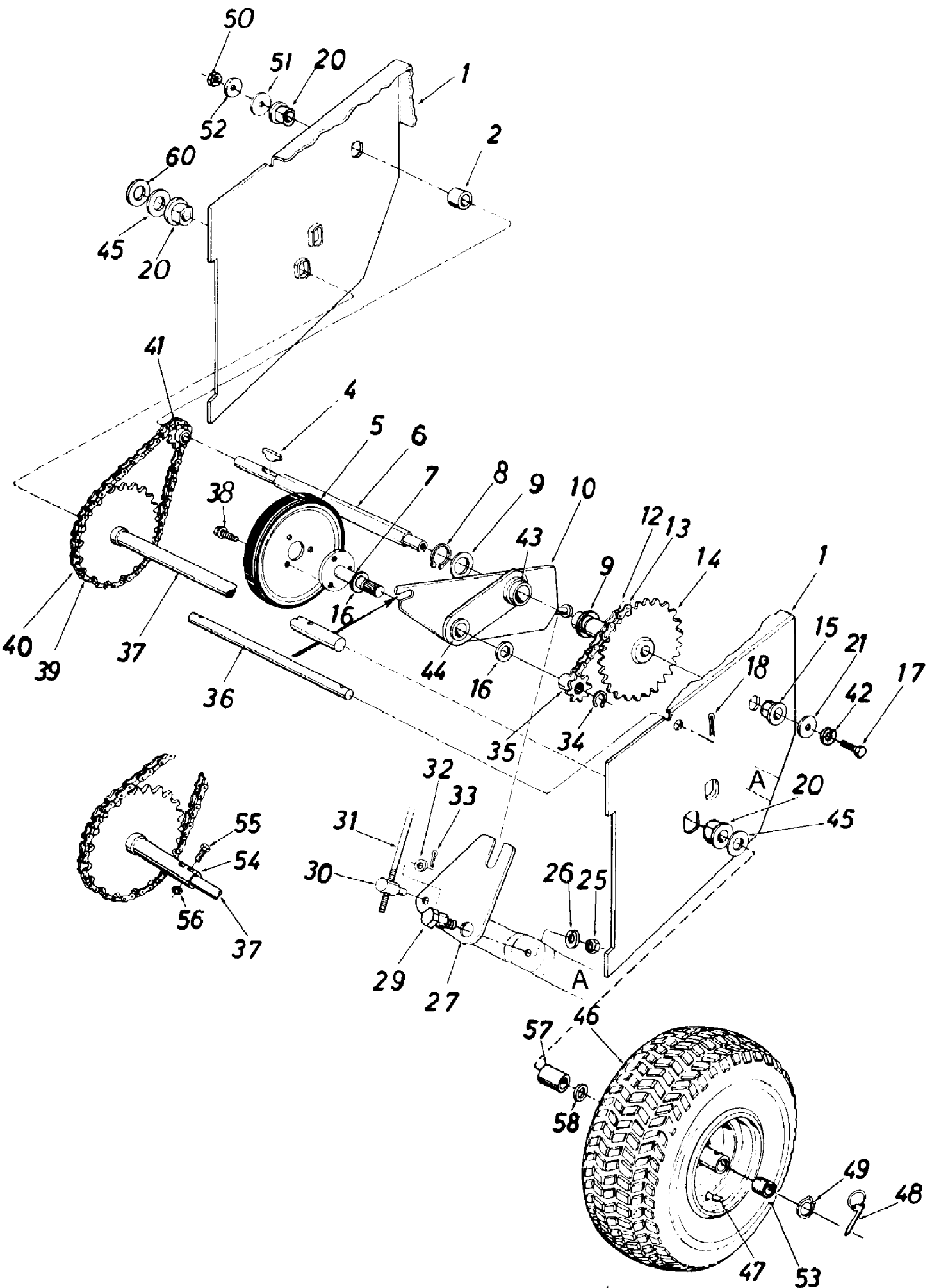
Page 8 of 12

| Ref # | Part Number | Qty | S/P/F | Description |
|-------|--------------|-----|-------|---|
| 1 | 05988 | 1 | | Clutch Grip Ass'y.-R.H. |
| 2 | 720-0220 | 1 | | Grip-Red |
| 3 | 738-0560 | 1 | S | Shoulder Bolt .374 Dia. x 1.375" Lg. |
| 4 | 784-5451-629 | 1 | | Handle Panel Ass'y. |
| 5 | 741-0402 | 1 | S | Hex Flange Plastic Bearing .380" I.D. |
| 9 | 05987 | 1 | | Clutch Grip Ass'y.-L.H. |
| 10 | 738-0561 | 1 | S | Shoulder Nut 1/4-20 Thd. |
| 11 | 736-0242 | 1 | /P | Bell-Wash. 3/4" I.D. x .88" O.D. |
| 12 | 712-0267 | 1 | S | Hex Nut 5/16-18 Thd. |
| 13 | 726-0100 | 1 | S | Push Nut 3/8" Rod |
| 14 | 720-0201A | 1 | /P | Knob 3/8" Rod |
| 15 | 715-0138 | 1 | S | Roll Pin .12 Dia. X .63" Lg. |
| 16 | 05980 | 1 | | Chute Crank Ass'y. 39" Lg. |
| 17 | 747-0416A | 1 | /P | Eye Bolt 5/16-18 x 5.0" Lg. |
| 18 | 749-0595 | 1 | | Upper Handle-L.H. |
| 21 | 712-0429 | 1 | S | Hex Ins. Jam L-Nut 5/16-18 Thd. |
| 22 | 732-0193 | 1 | /P | Compression Spring .50" O.D. x .88" Lg. |
| 23 | 747-0356A | 1 | | Shifting Rod 5/16" x 32.50" Lg. |
| 24 | 05898 | 1 | | Shifting Linkage Bracket |
| 25 | 747-0452 | 1 | | Lockout Rod .214" Dia. x 36.0" Lg. |
| 26 | 711-0736 | 1 | /P | Adjustment Ferrule 1/4-20 |
| 27 | 712-0324 | 1 | /P | Hex Ins. L-Nut 1/4-20 Thd. |
| 28 | 710-0427 | 1 | S | Hex Bolt 3/8-16 x 2.00" Lg. |
| 29 | 05899B | 1 | | Frame Cover |
| 30 | 710-0599 | 1 | /P | Hex Wash. Self-Tap Scr. 1/4-20 x .50" Lg. |
| 31 | 732-0320 | 1 | S | Extension Spring .38" O.D. x 3.25" Lg. |
| 32 | 712-0342 | 1 | /P | Hex Jam Nut 3/8-16 Thd. |
| 33 | 736-0169 | 1 | S | L-Wash. 3/8" I.D.* |
| 34 | 784-5050 | 1 | | Auger Clutch Bracket Ass'y. |
| 35 | 738-0281 | 1 | S | Shld. Bolt .625" Dia. x .170 |
| 36 | 732-0121 | 1 | S | Extension Spring .75" O.D. x 4.31 " Lg. |
| 37 | 05878 | 1 | | Drive Pulley Support Brkt. Ass'y. |
| 38 | 714-0507 | 1 | S | Cotter Pin 3/32" Dia. x .75" Lg. |
| 39 | 05501 | 1 | | Drive Clutch Bracket |
| 40 | 10080 | 1 | | Drive Clutch Rod |
| 41 | 712-0342 | 1 | /P | Hex Jam Nut 3/8-16 Thd. |
| 42 | 736-0169 | 1 | S | L-Wash. 3/8" I.D.* |
| 43 | 736-0219 | 1 | S | Bell-Wash. .40" I.D. x 1.13" O.D. |
| 44 | 738-0281 | 1 | S | Shld. Bolt .625" Dia. x .170 |
| 45 | 731-0496 | 1 | | Plastic Plug |
| 46 | 710-0487 | 1 | /P | Carriage Bolt 5/16-18 x 2.0" Lg. |
| 47 | 747-0696 | 1 | | Shift Handle |
| 48 | 714-0104 | 1 | S | Int. Cotter Pin 5/16" Dia. |
| 49 | 749-0596 | 1 | | Upper Handle-R.H. |
| 50 | 741-0475 | 1 | S | Plastic Bushing |
| 51 | 736-0264 | 1 | S | FI-Wash. .344" I.D. x .62" O.D. |
| 52 | 732-0184 | 1 | /P | Extension Spring .75" O.D. x 5.00" Lg. |
| 53 | 747-0154 | 1 | | Lockout Rod .214" Dia. x 32" Lg. |
| 54 | 749-0418 | 1 | | Lower Handle-R.H. |
| 55 | 749-0417 | 1 | | Lower Handle-L.H. |
| 56 | 711-0677 | 1 | S | Adjustment Ferrule |
| 57 | 736-0105 | 1 | /P | Bell-Wash. .40" I.D. x .88" O.D. |
| 58 | 710-0623 | 1 | | Self-Tap Scr. 3/8-16 x .75" Lg. |

311-550-190 Snow Boss 510 (1991)
Frame Assembly

Page 9 of 12

| Ref # | Part Number | Qty | S/P/F | Description |
|-------|-------------|-----|-------|---------------------------------|
| 60 | 736-0264 | 1 | S | Fl-Wash. .344" I.D. x .62" O.D. |
| 61 | 714-0507 | 1 | S | Cotter Pin 3/32" Dia. |
| 62 | 720-0218 | 1 | /P | Knob |
| 63 | 726-0247 | 1 | S | Push Cap |
| 64 | 731-0473 | 1 | | Black Vinyl Grip |



311-550-190 Snow Boss 510 (1991)
Wheel Drive Assembly

Page 11 of 12

| Ref # | Part Number | Qty | S/P/F | Description |
|-------|-------------|-----|-------|---|
| 1 | 784-5197 | 1 | | Frame Ass'y. |
| 2 | 750-0499 | 1 | /P | Spacer .50" I.D. x .75" O.D. x .78" Lg. |
| 4 | 714-0129 | 1 | S | #4 Hi-Pro Key 3/32 x 518" Dia. |
| 5 | 05080A | 1 | S | Friction Wheel Ass'y. |
| 6 | 738-0496A | 1 | | Hex Shaft |
| 7 | 05883 | 1 | | Friction Wheel Mounting Plate Ass'y. |
| 8 | 716-0102 | 1 | S | Snap Ring 1.00" Dia. Shaft |
| 9 | 736-0163 | 1 | S | FI-Wash. 1.00" x 1.63" O.D. x .03 |
| 10 | 05880 | 1 | | Sliding Bracket Ass'y. |
| 12 | 713-0285 | 1 | | #41 Chain 1/2" Pitch x 35 Links |
| 13 | 713-0723 | 1 | S | Master Link for #41 Chain |
| 14 | 713-0281 | 1 | | 32 Teeth Sprocket Ass'y. |
| 15 | 741-0225 | 1 | S | Hex Flange Brg. .630" I.D. |
| 16 | 736-0290 | 1 | /P | FI-Wash. .62" I.D. x 1.00" O.D. x .06 |
| 17 | 710-0538 | 1 | /P | Hex Lock Bolt 5/16-18 x .62" Lg. |
| 18 | 714-0507 | 1 | S | Cotter Pin 3132" Dia. x .75" Lg. |
| 20 | 741-0490 | 1 | S | Flange Brg. w/Flats .75" I.D. |
| 21 | 736-0231 | 1 | S | FI-Wash. .34" I.D. x 1.12" O.D. x .125 |
| 25 | 712-0342 | 1 | /P | Hex Jam Nut 3/8-16 Thd. |
| 26 | 736-0169 | 1 | S | L-Wash. 318" I.D.* |
| 27 | 05898A | 1 | | Shifting Linkage Bracket |
| 29 | 738-0281 | 1 | S | Shld. Bolt .625" Dia. x .170" Lg. |
| 30 | 711-0677 | 1 | S | Adjustment Ferrule |
| 31 | 747-0356 | 1 | | Shifting Rod 5/16" Dia. x 32.50" Lg. |
| 32 | 736-0264 | 1 | S | FI-Wash. .34" I.D. x .64" O.D. x .06 |
| 33 | 714-0507 | 1 | S | Cotter Pin 3/32" Dia. x .75" Lg. |
| 34 | 716-0145 | 1 | S | Snap Ring .562" Dia. Shaft |
| 35 | 713-0280 | 1 | | Sprocket 7 Teeth x .50" Pitch |
| 36 | 738-0497 | 1 | | Shaft .50" Dia. x 9.50" Lg. |
| 37 | 713-0323 | 1 | | 32 Teeth Wheel Axle Ass'y. (440 & 550) |
| | 738-0713 | 1 | | Wheel Axle (586) |
| 38 | 710-0600 | 1 | /P | Hex Wash. Hd. Self-Tap Scr. 5/16-24 x .50" Lg. |
| 39 | 713-0270 | 1 | | #41 Chain 1/2" Pitch x 43 Links (440 & 450) |
| | 713-0287 | 1 | S | #420 Chain 112" Pitch x 39 0 Links (550 & 586) |
| 40 | 713-0723 | 1 | S | Master Link for #41 Chain (440 & 450) |
| | 713-0154 | 1 | S | Master Link for #420 Chain (550 & 586) |
| 41 | 748-0204 | 1 | /P | 8 Teeth Center Sprocket |
| 42 | 736-0119 | 1 | S | L-Wash. 5116" I.D. |
| 43 | 741-0476 | 1 | S | Bearing |
| 44 | 748-0184 | 1 | /P | Bronze Bearing |
| 45 | 736-0188 | 1 | /P | FI-Wash. .76" I.D. x 1.49 0 O.D. (440, 450 & 550) |
| | 736-0315 | 1 | /P | FI-Washer (586 only) |
| 46 | | 1 | | Wheel Assembly |
| | 734-1528 | 1 | | Wheel Ass'y. Comp. 13 x 5.0 (440 & 550) |
| | 734-1521 | 1 | | Wheel Ass'y. Comp. 13 x 6.5 (586) |
| 47 | 734-0255 | 1 | S | Air Valve |
| 48 | 714-0143 | 1 | S | Klick Pin |
| 49 | 716-0101 | 1 | S | Snap Ring .75 Dia. |

311-550-190 Snow Boss 510 (1991)
Wheel Drive Assembly

Page 12 of 12

| Ref # | Part Number | Qty | S/P/F | Description |
|-------|-------------|-----|-------|---------------------------------------|
| 50 | 712-0200A | 1 | /P | Hex Ins. L-Nut 1/2-20 Thd. |
| 51 | 736-0257 | 1 | S | FI-Wash. .53 I.D. x 1.25 O.D. x .10 |
| 52 | 736-0253 | 1 | S | Bell-Wash. .50 I.D. x 1.0 O.D. x .075 |
| 53 | 741-0401 | 1 | S | Sleeve Brg. |
| 54 | 713-0384 | 1 | | 32 Teeth Sprocket Hub Ass'y. (586) |
| 55 | 710-0698 | 1 | /P | Hex Bolt 1/4-28 x 1.5"* (586) |
| 56 | 712-0896 | 1 | | Hex L-Nut 1/4-28 Thd. (586) |
| 57 | 750-0506 | 1 | | Spacer (586) |
| 58 | 736-0287 | 1 | S | FI-Washer (586) |
| 60 | 736-0315 | 1 | /P | FI-Washer (586 Only) |